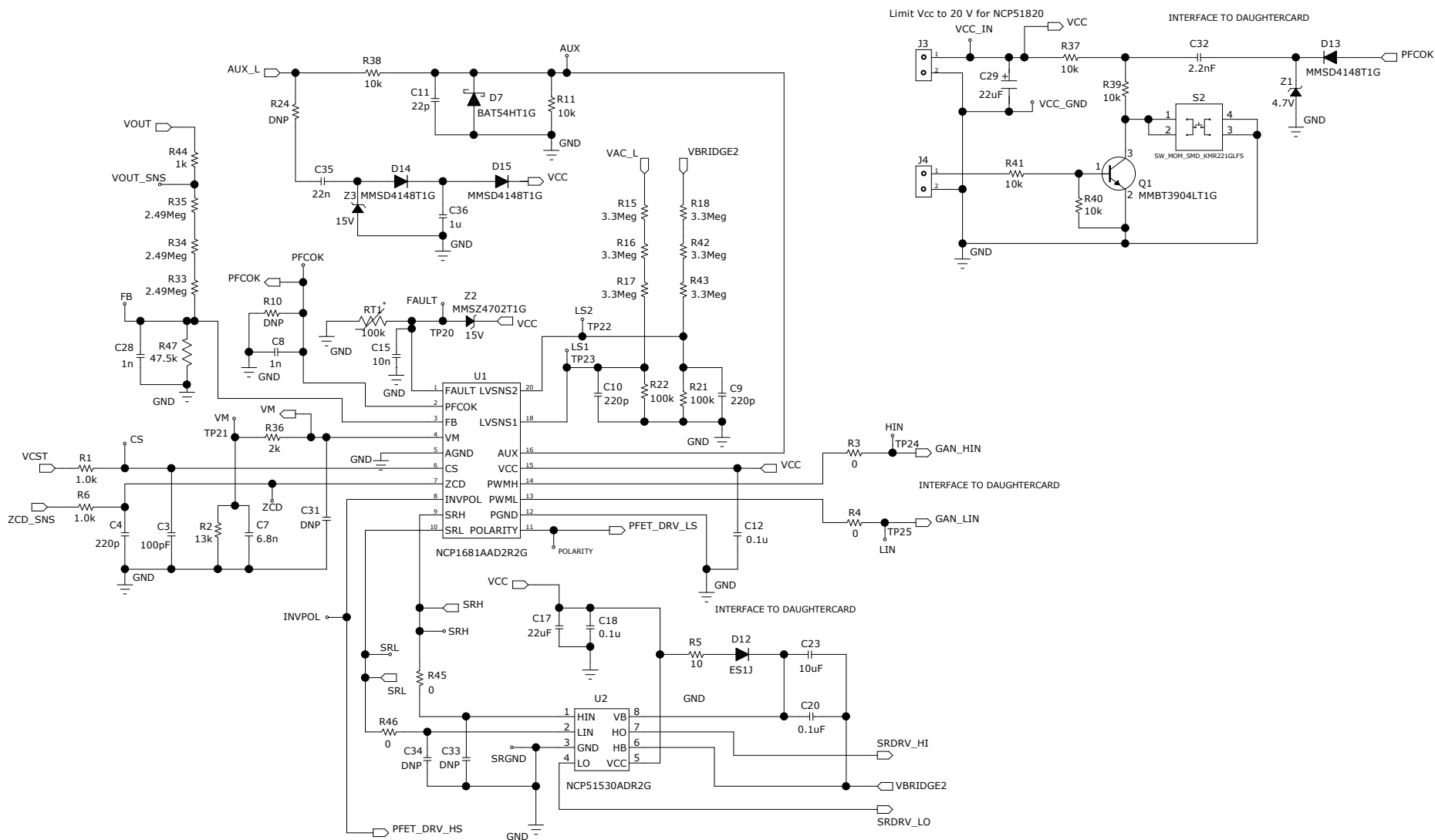


*RT1 can also be substituted with NXFT15WF104FA2B100

REVISION RECORD			
LTR	ECO NO:	APPROVED:	DATE:



COMPANY:				ON SEMICONDUCTOR			
TITLE:				NCP1681 MULTI-MODE 500W TOTEM POLE PFC			
DRAWN:	Armando Mesa	DATED:	1/6/2020	CODE:	SIZE:	DRAWING NO:	REV:
Modified:	MPantarella	DATED:	10/7/21	C	NCP1681_NCP51820 500W DEMO BOARD Rev0.1MP	1.1	
SCALE:		SHEET: 1 OF 2					

Q2 & Q3 are switching devices, alternating between primary switch and synchronous switch depending on line voltage polarity
 M3 & M4 are synchronous devices for the line return current
 The return path for diode bridge is connected to PWRGND, ZCD_SNS cannot be bypassed

REVISION RECORD		DATE:
LTR	Changed C19/22 to 30mm dia capacitors.	12/20/21

D

C

B

A

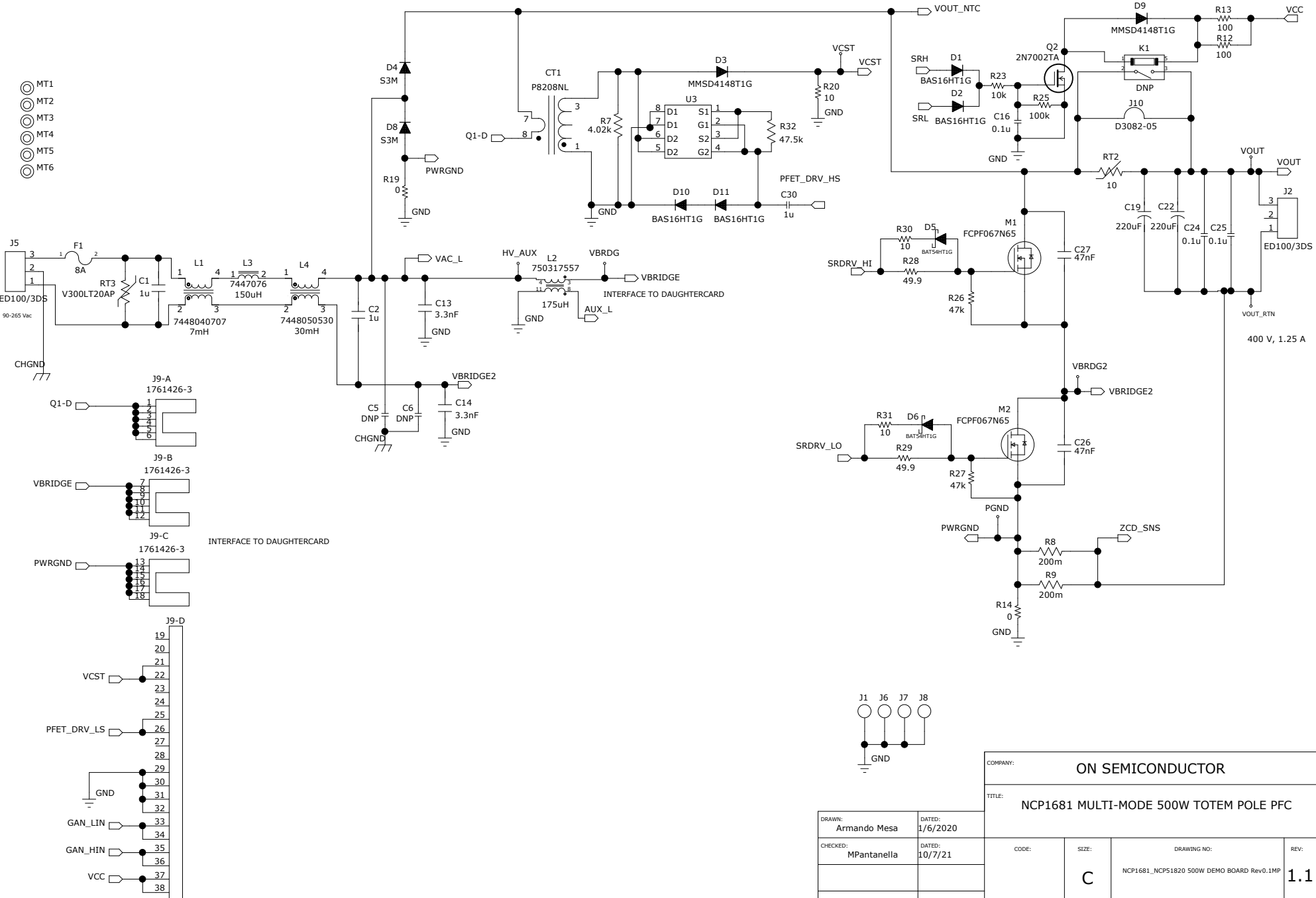
D

C

B

A

- ⊙ MT1
- ⊙ MT2
- ⊙ MT3
- ⊙ MT4
- ⊙ MT5
- ⊙ MT6



1761426-3

DRAWN: Armando Mesa	DATED: 1/6/2020
CHECKED: MPantarella	DATED: 10/7/21

COMPANY: ON SEMICONDUCTOR			
TITLE: NCP1681 MULTI-MODE 500W TOTEM POLE PFC			
CODE:	SIZE: C	DRAWING NO: NCP1681_NCP1820 500W DEMO BOARD Rev0.1MP	REV: 1.1
SCALE:	SHEET: 20F		2